










ASSEMBLY INSTRUCTIONS

CAUTION :

THIS ITEM IS MADE OF LAMINATED PARTICLE BOARD AND MEDIUM DENSITY FIBRE BOARD.
TO BE ASSEMBLED ON A DRY, SOFT, SMOOTH AND CLEAN SURFACE . DO NOT USE DETERGENT OR
CHEMICAL. AVOID DAMP AND DIRECT SUNLIGHT.

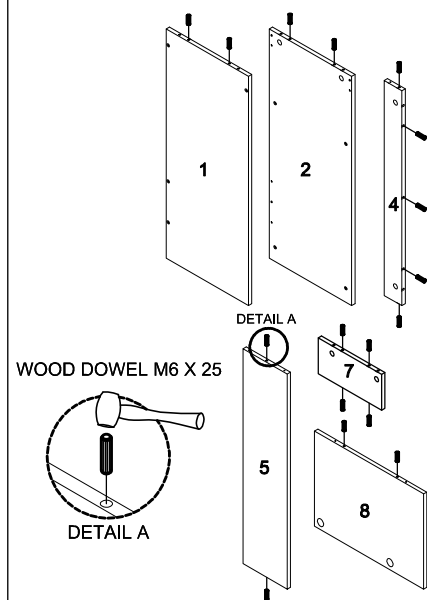
DM-008
STUDY DESK

STEP 1	CHECK YOUR HARDWARE	DM-008
	STICKER	12 PCS
	SCREW #9 X 1 1/2"	14 PCS
	WOOD DOWEL M6 X 25	24 PCS
	HOUSING D15/9.5	10 PCS
	EURO BOLT	10 PCS
	LONG POLE	2 PCS
	LONG POLE 440L	2 PCS
	LEG	2 PCS
	CAP	2 PCS

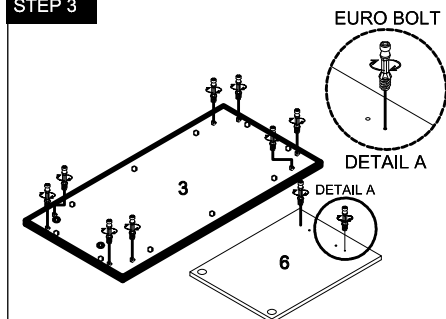
TOOLS REQUIRED

	SCREW DRIVER		HAMMER
---	--------------	---	--------

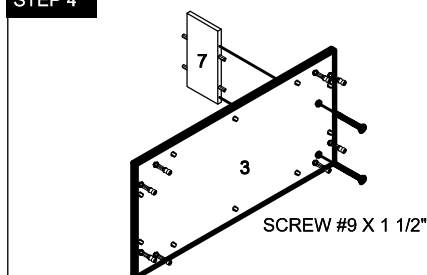
STEP 2



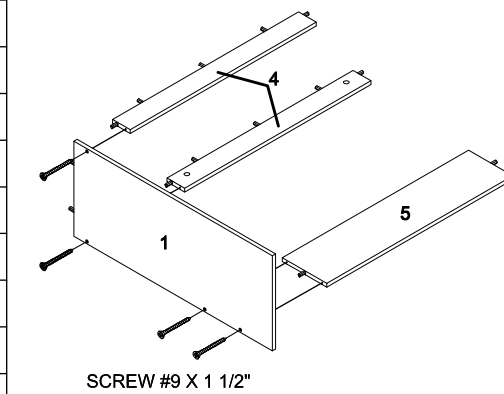
STEP 3



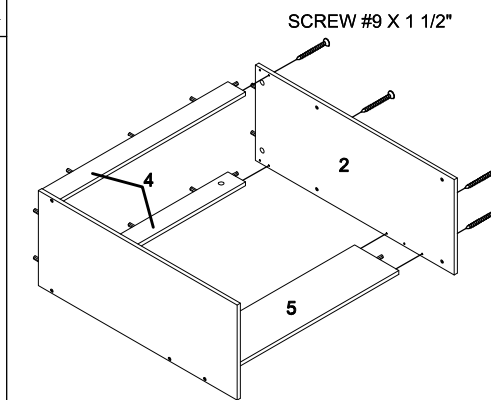
STEP 4



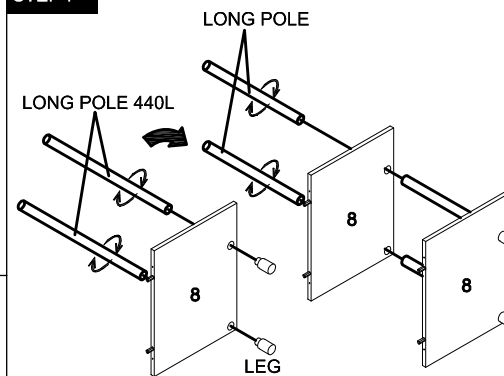
STEP 5



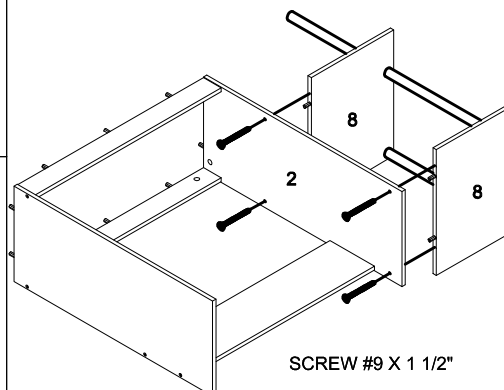
STEP 6



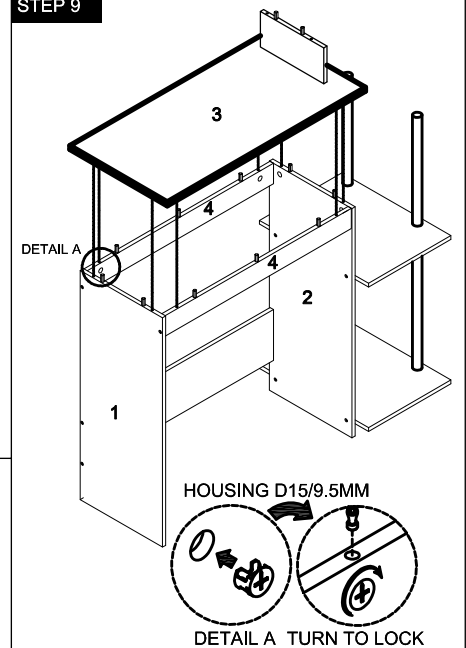
STEP 7



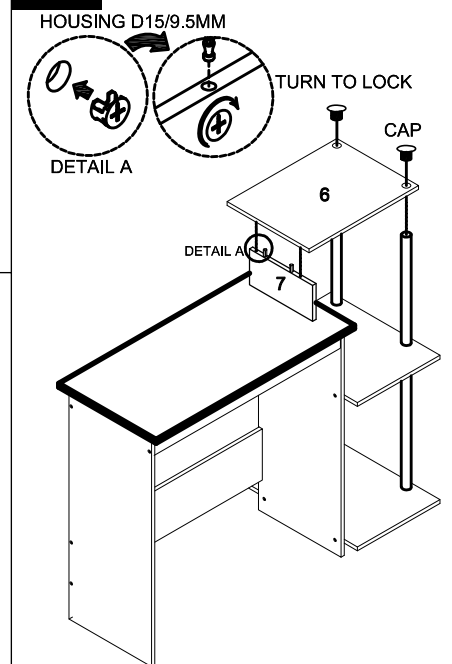
STEP 8



STEP 9



STEP 10



STEP 11

